

## Heavy Duty Hinges

**Stainless Steel, with Enhanced Strength / for Particularly Aggressive Environments (A4)**

### SPECIFICATION

#### Types

- Type **A**: With bores for countersunk screws
- Type **B**: With bores for countersunk screws and centering attachments

#### Version NI

##### Hinge leaves

Stainless steel, German Material No. 1.4405 **NI**  
Martensite (C1)

- Matte shot-blasted finish **GS**
- Powder coated  
Black, RAL 9005, textured finish **SW**

##### Hinge pin

- Stainless steel AISI 440B
- Tempered
  - With special grease lubricated

##### Shim washers

Stainless steel AISI 301  
With special grease lubricated

#### Version A4

##### Hinge leaves

Stainless steel AISI 316 **A4**  
Matte shot-blasted finish **GS**

##### Hinge pin

- Stainless steel, German Material No. 1.4542
- Tempered
  - With special grease lubricated, FDA compliant, class H1

##### Shim washers

Stainless steel AISI 316Ti  
With special grease lubricated, FDA compliant, class H1

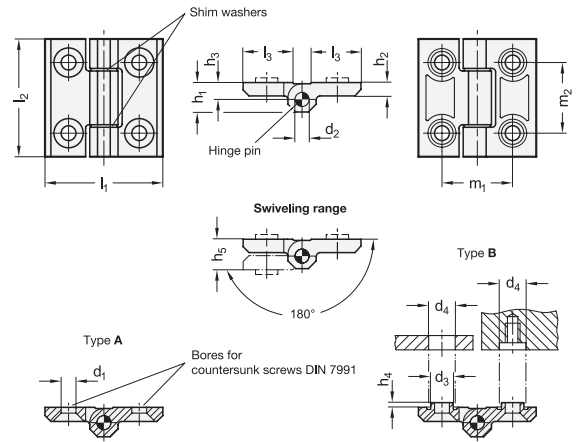
### INFORMATION

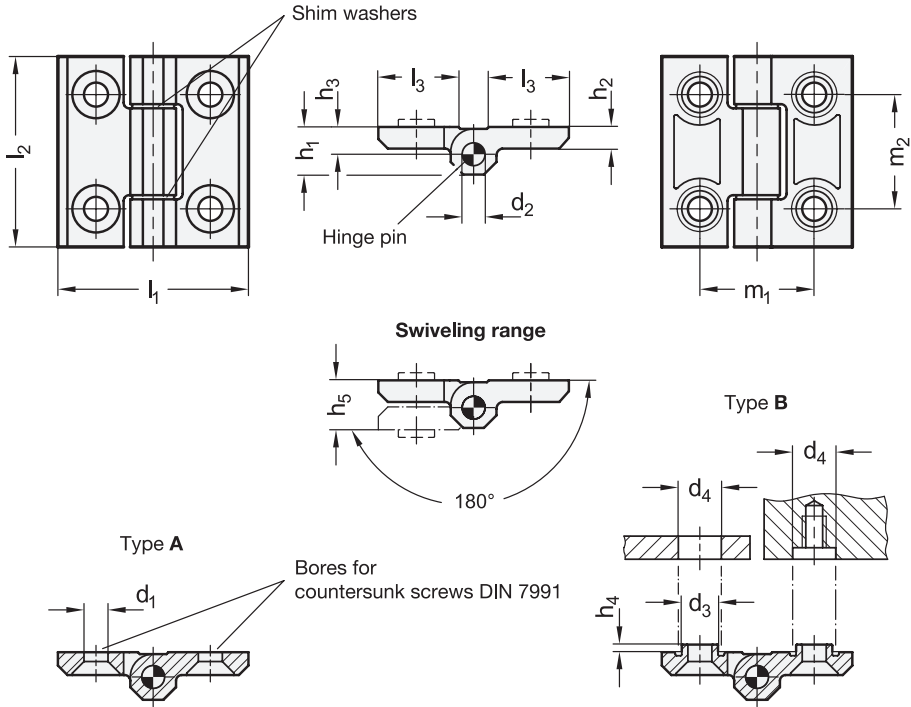
Heavy duty hinges GN 237.3 are designed for use under tough conditions and are distinguished by a compact design. The hinge pins are integral and allow the hinges to be used in environments with strong vibrations and shocks.

The material of the hinge leaves (Version NI) is very robust and, thanks to the martensite structure, is suitable for use in aggressive environments, albeit subject to some restrictions. The heavy-duty hinges (Version A4) can also be used in particularly aggressive environments thanks to the materials used. Wear is minimized by the effective friction pairing of the hinge components and lubrication. The type B hinge has centering attachments that prevent lateral slippage under high loads and protect the mounting screws from impermissible transverse force.

### TECHNICAL INFORMATION

- Stainless Steel Characteristics (see page A26)
- Load Rating Information of Metal Hinges (see page A40)





GN 237.3-NI

STAINLESS STEEL

Description	l1	l2	d1	d2	d3	d4 +0.5	h1	h2	h3	h4	h5	l3	m1	m2	⚖️
GN 237.3-NI-50-50-A-GS	50	50	6.3	6	9.5	10	12.5	6	6.5	2	13	21	30	30	110
GN 237.3-NI-50-50-B-GS	50	50	6.3	6	9.5	10	12.5	6	6.5	2	13	21	30	30	115
GN 237.3-NI-50-50-A-SW	50	50	6.3	6	9.5	10	12.5	6	6.5	2	13	21	30	30	110
GN 237.3-NI-50-50-B-SW	50	50	6.3	6	9.5	10	12.5	6	6.5	2	13	21	30	30	115
GN 237.3-NI-60-60-A-GS	60	60	8.3	8	12.5	13	16	8	8.5	3	17	25.5	36	36	215
GN 237.3-NI-60-60-B-GS	60	60	8.3	8	12.5	13	16	8	8.5	3	17	25.5	36	36	220
GN 237.3-NI-60-60-A-SW	60	60	8.3	8	12.5	13	16	8	8.5	3	17	25.5	36	36	216
GN 237.3-NI-60-60-B-SW	60	60	8.3	8	12.5	13	16	8	8.5	3	17	25.5	36	36	221
GN 237.3-NI-80-80-A-GS	80	80	10.3	10	14.5	15	20	10	10.5	4	21	36	50	50	485
GN 237.3-NI-80-80-B-GS	80	80	10.3	10	14.5	15	20	10	10.5	4	21	36	50	50	490
GN 237.3-NI-80-80-A-SW	80	80	10.3	10	14.5	15	20	10	10.5	4	21	36	50	50	480
GN 237.3-NI-80-80-B-SW	80	80	10.3	10	14.5	15	20	10	10.5	4	21	36	50	50	485

GN 237.3-A4

STAINLESS STEEL

Description	l1	l2	d1	d2	d3	d4 +0.5	h1	h2	h3	h4	h5	l3	m1	m2	⚖️
GN 237.3-A4-50-50-A-GS	50	50	6.3	6	9.5	10	12.5	6	6.5	2	13	21	30	30	115
GN 237.3-A4-50-50-B-GS	50	50	6.3	6	9.5	10	12.5	6	6.5	2	13	21	30	30	120
GN 237.3-A4-60-60-A-GS	60	60	8.3	8	12.5	13	16	8	8.5	3	17	25.5	36	36	218
GN 237.3-A4-60-60-B-GS	60	60	8.3	8	12.5	13	16	8	8.5	3	17	25.5	36	36	223
GN 237.3-A4-80-80-A-GS	80	80	10.3	10	14.5	15	20	10	10.5	4	21	36	50	50	487
GN 237.3-A4-80-80-B-GS	80	80	10.3	10	14.5	15	20	10	10.5	4	21	36	50	50	495

